

**Application** - The MC217V is for use on smaller tanks that do not need to be entered regularly but do require a small quick access or inspection / fill hatch. The MC217V incorporates the same lid used on our larger MC407 manway and has an inbuilt emergency vent & pressure vacuum vent. The standard coaming is mild steel for directly welding into steel tanks.



## Features

A two step catch relieves built up pressure when releasing the inspection hatch, thus protecting the operator from injury.

Multi purpose 200mm inspection, fill point with inbuilt emergency & pressure vacuum relief.

PV vent incorporates rollover protection.

PV vent assembly can be disconnected for easy maintenance.

## Specifications

PV vent pressure relief =  $16 \pm 1$  kPa

PV vent vacuum relief =  $2 \pm 1$  kPa

Emergency Vent relief pressure =  $30 \pm 3$  kPa

Emergency vent capacity = 5500m<sup>3</sup> per hour at 45kPa

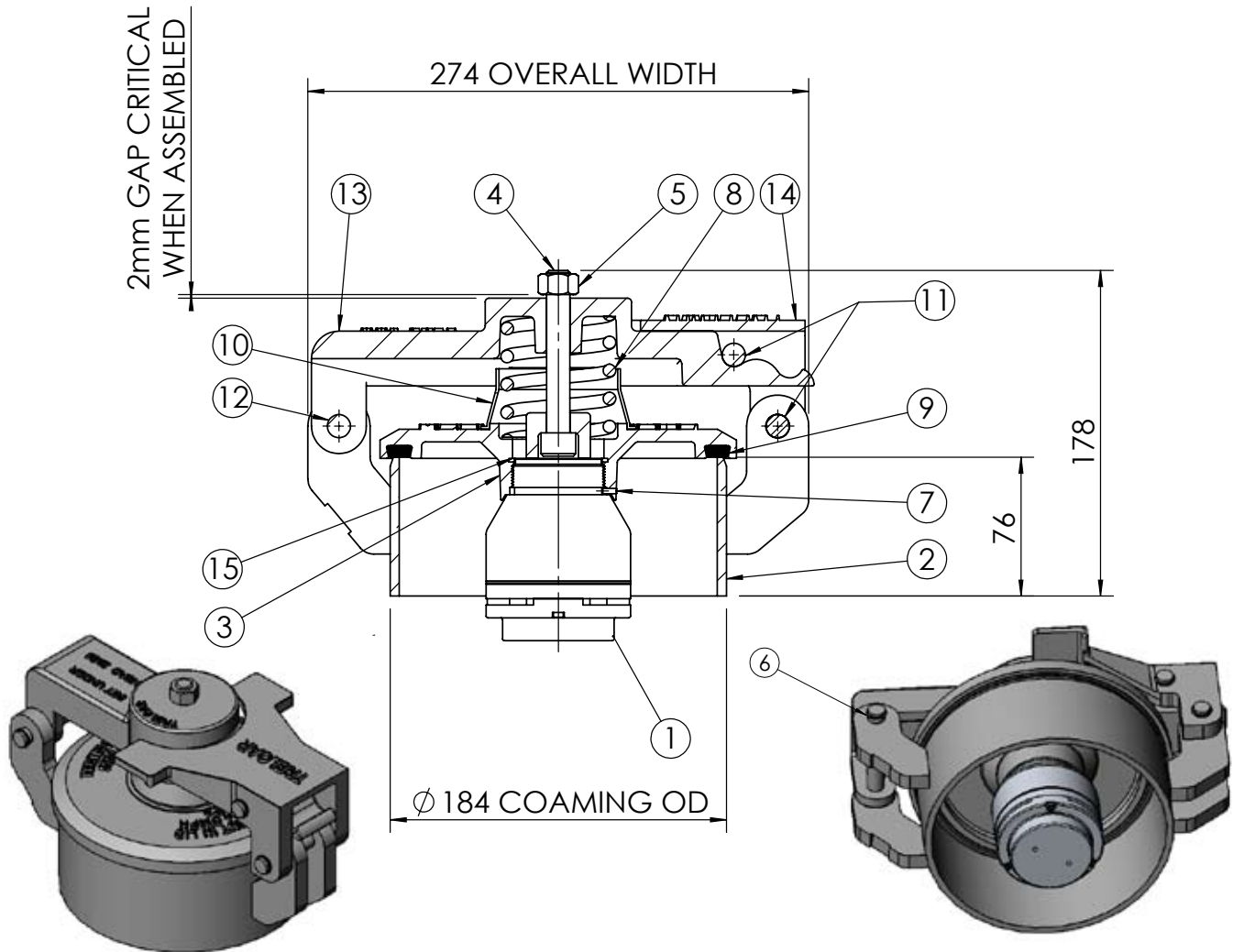
## Product Identification

MC217 Inspection / Emergency vent

MC217V Inspection / Emergency vent c/w PV vent

PV407 PV vent only

R802092-701 Fill Hatch gasket



ITEM NO.	DESCRIPTION - VO101/1	PART NO.	QTY	MATERIAL
1	PRESSURE N VAC VENT SUB-ASSY	PV007	1	----
2	COAMING RING C/W LUGS SUB-ASM	R014380-000	1	STEEL
3	HATCH LID - MC407 MANWAY	R014456-002	1	ALUMINIUM
4	NYLOC NUT 1/2 BSW	R500443-500	1	STEEL Zn PL
5	CAPSCREW 1/2BSW X3-1/2 LG	R502632-504	1	HT STEEL Zn PL
6	CIRCLIP EXT 1/2 DIA	R544109-500	6	STEEL Zn PL
7	GRUB SCREW M3 X 8MM LG	R553077-502	1	STAINLESS STEEL
8	SPRING	R801742-402	1	STAINLESS STEEL
9	SEAL FILL HATCH	R802092-701	1	HIGH ACRYLONITRILE
10	BOOT MC407	R802167-700	1	NITRILE
11	PIN-LOCKING LEVER	R802715-130	2	STAINLESS STEEL
12	PIN- OVERARM	R802780-130	1	STAINLESS STEEL
13	LOCKING LEVER	R802974-002	1	ALUMINIUM
14	OVERARM	R802975-001	1	ALUMINIUM
15	GAUZE	R014516-405	1	STAINLESS STEEL